

JAG PAD Powder Discharge and Dosing Device



The right solution from JAG Jakob AG

The JAG PAD powder discharge and dosing device is an effective and simple solution for the discharge and dosing of non-free-flowing bulk solids and powders.

The JAG PAD is used in the dairy, food, chemical, pharmaceutical and biotech industries.

Function

A pneumatic drive lifts the cone. The bulk solid flows out through the annular gap created in this way. Continuous lifting and lowering of the cone prevent separation. Even bulk solid flakes therefore flow out easily.

The pneumatic drive is protected against fouling by a diaphragm. A diaphragm test (pressure test) can be performed to check for absence of leakage.

A special dosing software controls opening and closing of the cone and so regulates discharge of the bulk solid by means of positive or negative weighing.

Advantages of the JAG PAD powder discharge and dosing device

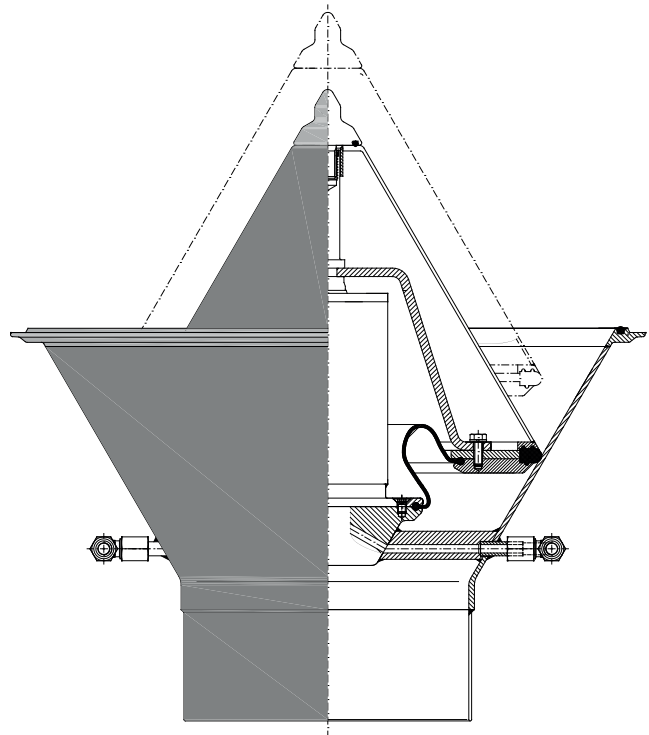
- Prevention of arching and core flow ensures reliable discharge of non-free-flowing products
- High dosing accuracy in combination with the user-friendly JAG dosing software
- No mechanical parts in the product flow as the drive is located below the dosing cone
- Dosing, discharge and shut-off function combined in a single device
- Suitable for CIP and SIP operation
- Approved for FDA and GMP compliant applications (with certificate)
- Designed for low maintenance and easy cleaning
- Up to 450 kg bulk solids weight (above cone base)
- The following products: JAG PAD powder discharge and dosing device, JAG FLD fluidizing nozzle and JAG PES powder infeed system as well as the JAG PdiCS⁺ control can be combined into effective and fully automatic dosing and mixing solutions for powders and bulk solids.

Technical data

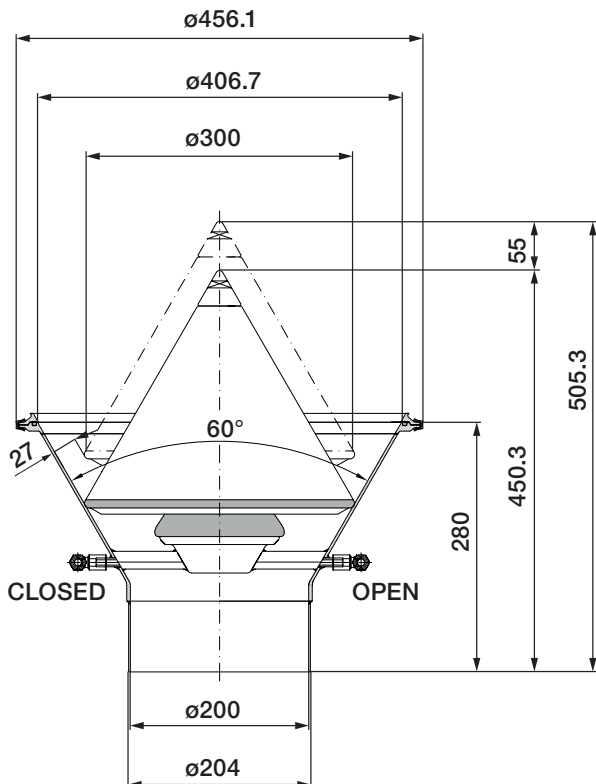
General	
Drive power	compressed air
Air connection	Ø 8mm
Operating pressure	4.0 - 6.0 bars
Bulk solids weight	max. 450 kg
Material	
Stainless steel	1.4435
Gaskets	EPDM weiss
Annular gap	27mm
Stroke height	55mm

On request

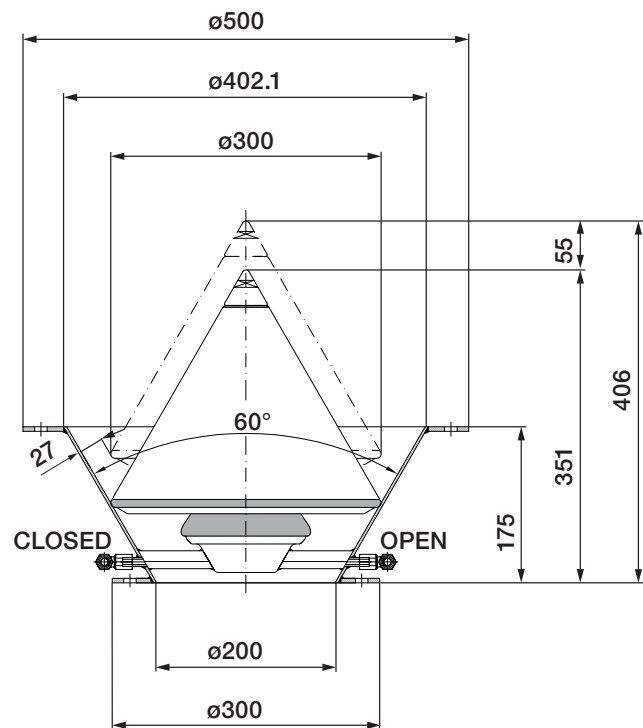
Diaphragm test
JAG FLD fluidizing nozzle
CIP nozzles



JAG PAD with clamp



JAG PAD with flange



II 1/2 Ex h IIC T59 °C Da/Db

JAG Jakob AG

Industriestrasse 20
CH-2555 Brügg

Phone: +41 (0)32 374 30 30

Fax: +41 (0)32 374 30 31

E-mail: jagpt@jag.ch

Web: www.jag.ch