

JAG PES Powder Infeed System



For homogeneous, lump-free mixing of powder and liquids

The JAG PES Powder Infeed System was developed to feed powder solids into liquids and works according to the Venturi principle. It is suitable for use under extremely tough conditions in the pharma, biotech, chemical and food industries.

Functional principle

Fluid is pumped into the JAG PES through an infeed cone. A vacuum is generated inside the JAG PES, which draws the solid material into the liquid via the powder line. The adjustable nozzle geometry, accurate powder dosing and recirculation enable lump-free, highly homogeneous mixing.

JAG PES systems integrated into the process unit can be cleaned either automatically via CIP/SIP or manually thanks to the ease with which they can be disassembled.

A manometer can be connected to the JAG PES.

Benefits and features of the JAG PES Powder Infeed System

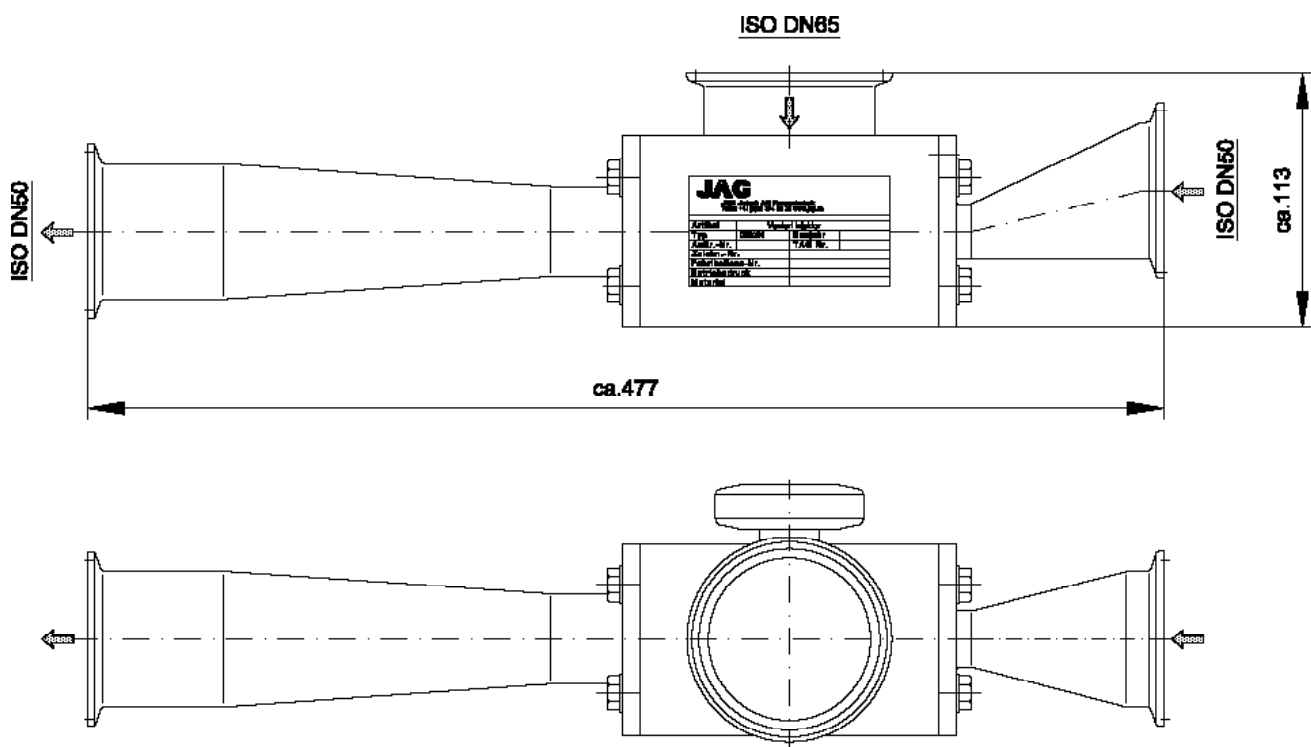
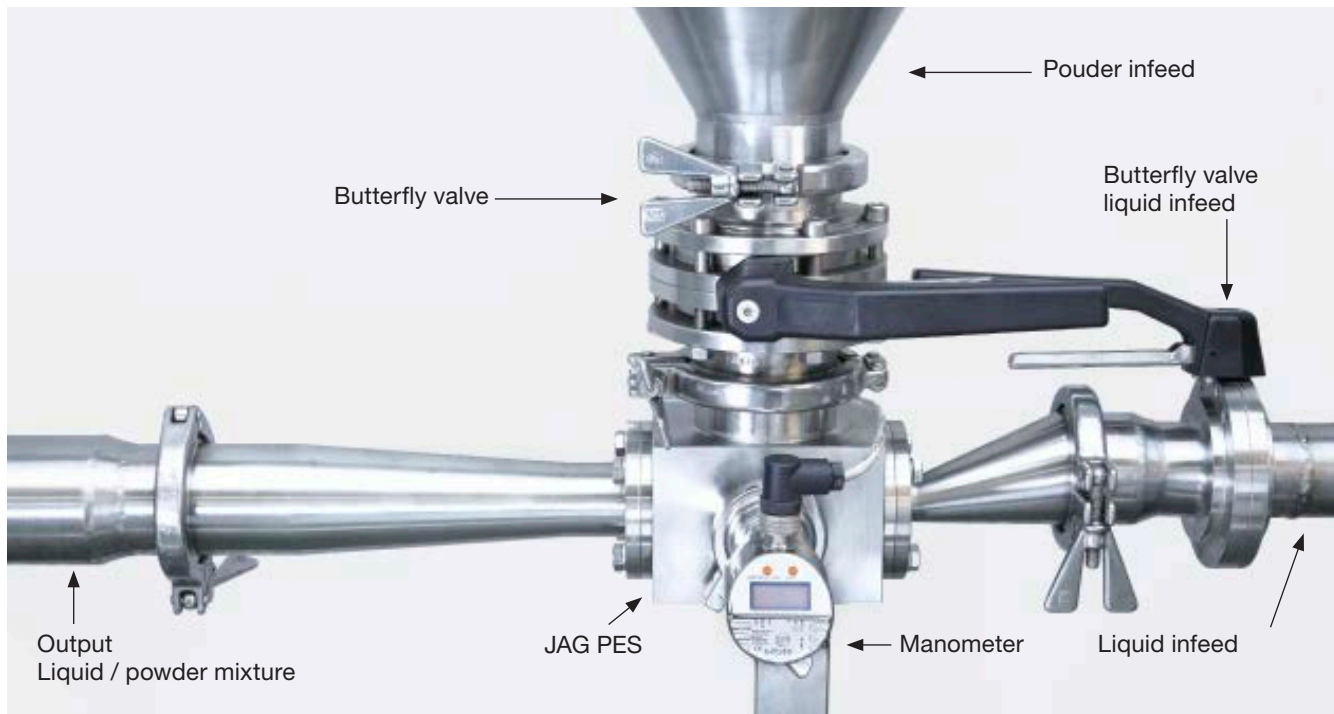
- Dust-free powder feed into liquids
- The powder-to-liquid mixing ratio can be Dosed precisely
- No moisture in the powder stock
- High viscosities can be mixed
- Recirculation ensures homogeneous mixing
- Can be fitted directly onto silos, hoppers, containers, settling tanks
- CIP-/SIP-compatible
- Shorter mixing times than with
- Conventional methods
- Easy to disassemble, enabling flexible modification

Technical data

Cone, connectors	1.4435 (316L) with certificate option 3.1
Surfaces	surfaces in contact with products RA ≤ 0.8 µmw
Gasket	EPDM (FDA conformity)
Operate temperature	max. 60°C
Pressure range	max. 10 bar
Throughput liquids	ca. 13 m ³ /h (water)
Throughput bulk solids	ca. 1.5 t/h (depending the product)

Dimensions

Lengh	480 mm
Wide	110 mm
Powder infeed	ISO DN 65/TC
Liquid infeed	ISO DN 50/TC
Liquid output	ISO DN 50/TC
Measuring pipe	ISO DN 20



JAG Jakob Ltd

Industriestrasse 20
CH-2555 Brügg

Phone: +41 (0)32 374 30 30

Fax: +41 (0)32 374 30 31

E-mail: jagpt@jag.ch

Web: www.jag.ch